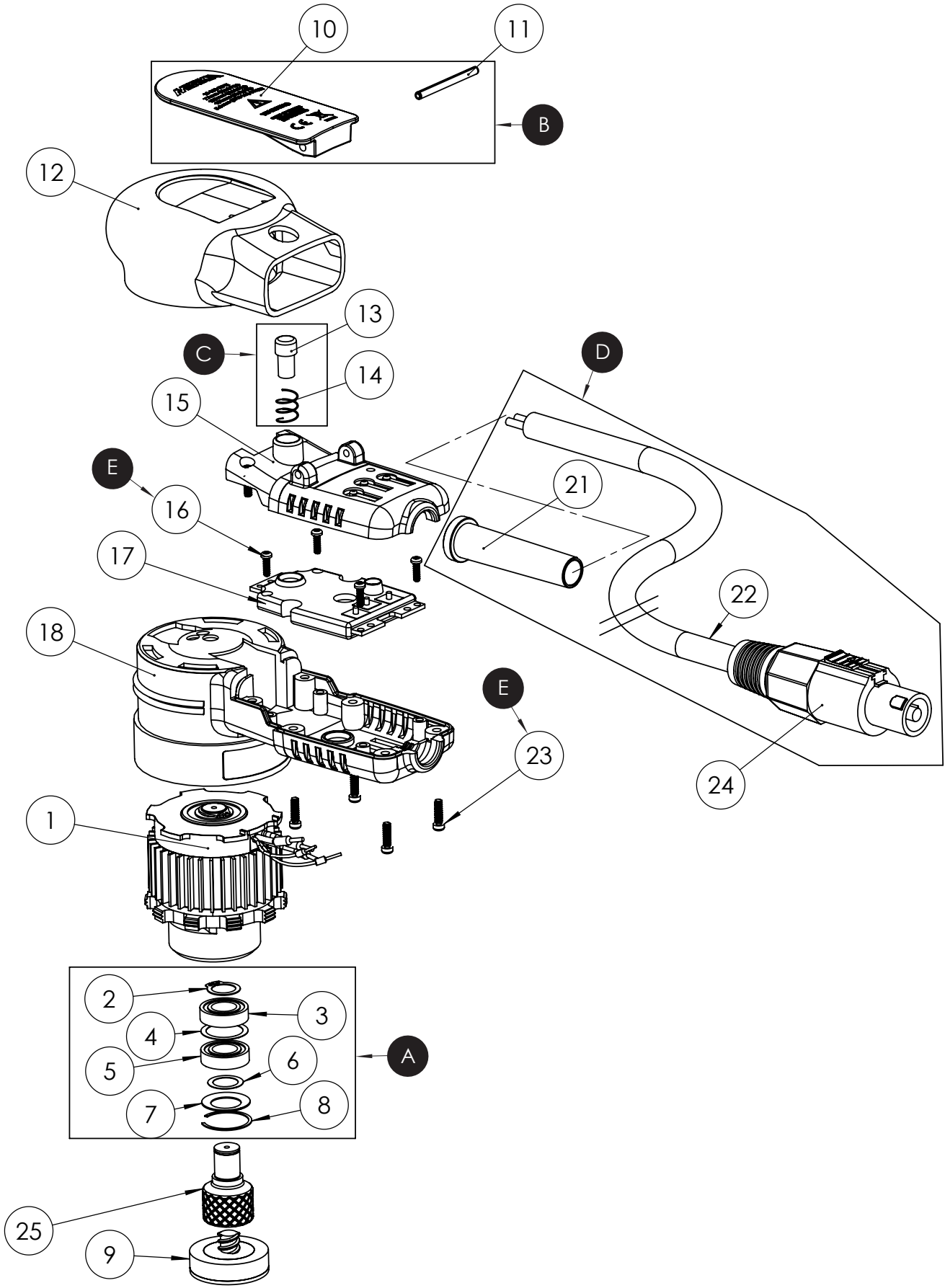


Exploded view of CEROS 32 mm

Updated 11.02.2022



CEROS 32 mm Spare Part kits

Electrical tool must be serviced by a qualified repair person and in accordance with national requirements.

Note! Repairs done by non-authorized repairer will breach the Mirka warranty.

Mirka Code	Item	Description	Kit	QTY	Tightening Torgue
8993019511		Spindle Bearing kit 32mm			
	2	Retaining Ring		1	
	3	Bearing		1	
	4	Spacer	A	1	
	5	Bearing		1	
	6	Shim		1	
	7	Washer		1	
	8	Retaining Ring		1	
MIN6521011		Lever 5,0 mm kit 32 / 77 / 125 / 150 mm			
	10	Lever	B	1	
	11	Pin		1	
MIN6521311		Start Button kit			
	13	Start Button	C	1	
	14	Start Button Spring		1	
MIN6522211		DC Cable kit 4 m			
	21	Cable Support	D	1	
	22	DC Cable 4m		1	
	24	DC Cable Male Plug		1	
MIN6522311		Screw kit			
	16	PCB screw	E	4	0,8 Nm/0,6 ft-lb
	23	Housing screw		6	1,3 Nm/1,0 ft-lb

Separate spare parts on next page.

CEROS 32 mm Spare Parts

Mirka Code	Item	Description	Kit	QTY	Tightening Torque
MIN1510111	1	Motor 32mm/5,0mm*		1	25 Nm/18,5 ft-lb
	2	Retaining Ring	A	1	
	3	Bearing	A	1	
	4	Spacer	A	1	
	5	Bearing	A	1	
	6	Shim	A	1	
	7	Washer	A	1	
	8	Retaining Ring	A	1	
8294596311	9	Backing Pad Quick Lock 32mm PSA Soft, 10/Pack			
8294595311	9	Backing Pad Quick Lock 32mm PSA Hard, 10/Pack			
8294598311	9	Backing Pad Quick Lock 32mm Grip Soft, 10/Pack			
	10	Lever	B	1	
	11	Pin	B	1	
MIN6511211	12	Grip		1	
	13	Start Button	C	1	
	14	Start Button Spring	C	1	
MIN6511511	15	Cover Plate		1	
	16	PCB Screw	E	4	0,8 Nm/0,6 ft-lb
MIN6511711	17	Speed Controller*		1	
MIN1511811	18	Housing 32 mm		1	
	21	Cable Support	D	1	
	22	DC Cable 4m	D	1	
	23	Housing Screw	E	6	1,3 Nm/1,0 ft-lb
MIN6512411	24	DC Cable Male Plug	D	1	
8992454411	25	Spindle Quick Lock Insert		1	

* Spare parts only available to authorized repairers.