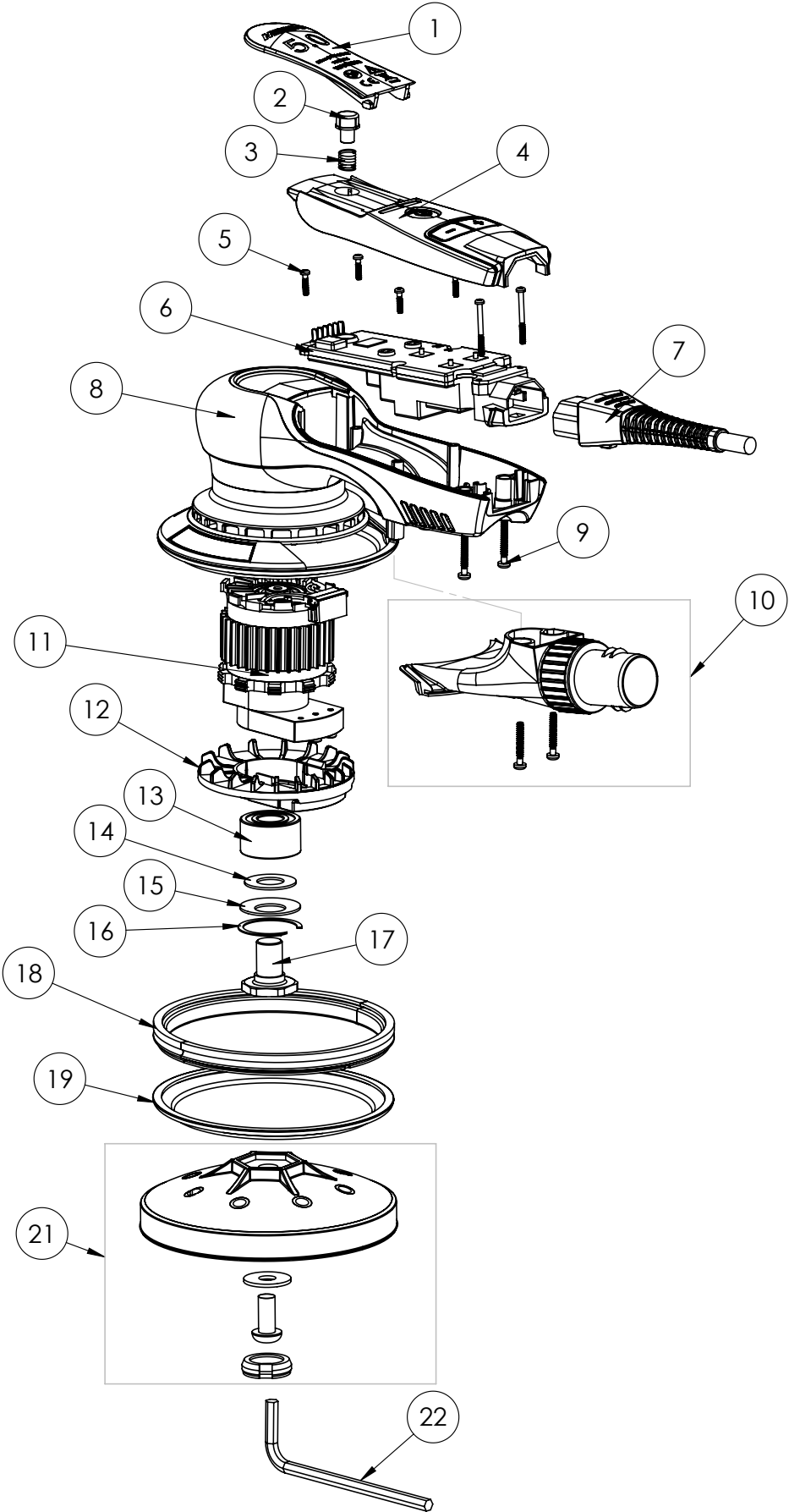


# Exploded view of DEROS SP 125 mm (230V & 110V)

Updated 04.11.2016



## DEROS SP Spare part kits

Electrical tool must be serviced by a qualified repair person and in accordance with national requirements.

**Note!** Repairs done by non-authorized repairer will breach the Mirka warranty

Mirka code	Item	Description	QTY	Kit
<b>MIE6520211</b>		<b>Start Button Kit</b>		
	2	Start Button	1	
	3	Start Button Spring	1	
<b>MIE6520511</b>		<b>Screw Kit</b>		
	5	Screws <sup>1)</sup>	4	
	9	Housing screws <sup>2)</sup>	2	
	35	Screws <sup>1)</sup>	2	
<b>MIE6521011</b>		<b>Swivel Exhaust Kit</b>		
	9	Housing screws <sup>3)</sup>	2	<b>10</b>
	10	Swivel Exhaust	1	
<b>8995690011</b>		<b>Spindle Bearing Kit</b>		
	13	Double Row Bearing	1	
	14	Felt Washer	1	
	15	Washer	1	
	16	Retaining Ring	1	
<b>8292504011</b>	21	<b>Backing Pad 124 g (125 mm)</b>		
		Washer	1	
		M8 Bolt	1	
	22	Hex Key	1	
		Bolt Cover	1	
<b>8995690101</b>		<b>Balancing Screw kit</b>	1	

1) Tightening torque 0,6 Nm

2) Tightening torque 1,4 Nm

3) Tightening torque 1,5 Nm

Separate spareparts on next page

## DEROS SP Spare parts

Mirka code	Item	Description	QTY	Kit
MIE5540111	1	<b>Lever 5,0 mm 7500 rpm</b>		
	2	Start Button		
	3	Start Button Spring		
MIE6510411	4	<b>Cover Plate</b>		
	5	PCB Screw	6	
MIE6510611	6	<b>Speed Controller, 230V *</b>		
MIE6560611	6	<b>Speed Controller, 110V *</b>		
MIE6516011	7	<b>Mains Cable 4,3 m, CE 230V</b>		
MIE6517011	7	<b>Mains Cable 4,3 m, CE 230V UK</b>		
MIE6517211	7	<b>Mains Cable 4,3 m, UL 100-120V US</b>		
MIE6517311	7	<b>Mains Cable 4,3 m, 100-120V UK</b>		
MIE6517111	7	<b>Mains Cable 4,3 m, CH/BR</b>		
MIE6520811	8	<b>Housing</b>		
	9	Housing Screws	2	
MIE6521011	10	<b>Swivel Exhaust Kit</b>		10
MIE5551111	11	<b>Motor Incl. 217 mm Orbit 5,0/124g Pad (125mm), 230V</b>		
MIE5541111	11	Motor Incl. 217 mm Orbit 5,0/124g Pad (125mm), 110V		
MIE65111B1	11-B	<b>Ground Wire</b>		
MIE6511211	12	<b>Fan 5,0 mm/130 g Pad (150 mm)</b>		
	13	Double Row Bearing		
	14	Felt Washer		
	15	Washer		
	16	Retaining Ring		
MIE5541711	17	<b>Spindle M8 for DEROS SP</b>		
MIE5551811	18	<b>Break Seal adapter Kit 2 pcs</b>		
8995603211	19	<b>Brake Seal</b>		
8292504011	21	<b>Backing Pad 125mm Grip 8H Rounded</b>		
	21	Washer		
	21	M8 Bolt		
	21	Bolt Cover		
	22	Hex Key		

4) Tightening torque 35 Nm

\* Spare parts only available to authorized repairers.